

PLEASE CHECK WWW.MOLEX.COM FOR LATEST PART INFORMATION

Part Number: [0357307200](#)
Status: **Active**
Description: 3.56mm (.140") Diameter Pin Terminal, Brass, 0.50mm (.020") Thickness, Wire Range 14-20 AWG (2.00-0.52mm²), 15.50mm (.610") Pitch, Unplated

Documents:

[Drawing \(PDF\)](#) [RoHS Certificate of Compliance \(PDF\)](#)

General

Product Family	Crimp Terminals
Series	35730
Crimp Quality Equipment	Yes
Product Name	N/A

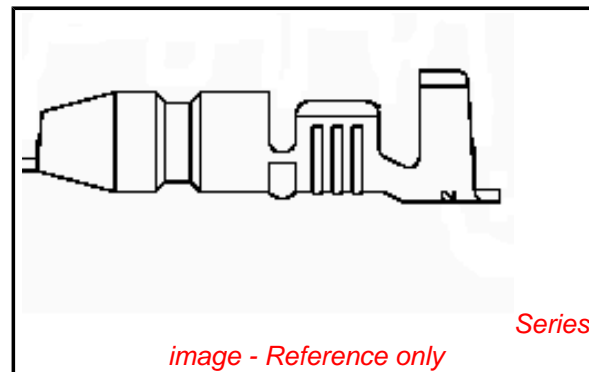
Physical

Gender	Male
Material - Metal	Brass
Material - Plating Mating	Unplated
Packaging Type	Reel
Termination Interface: Style	Crimp or Compression
Wire Insulation Diameter	2.60-3.80mm (.102-.150")
Wire Size AWG	14, 16, 18, 20
Wire Size mm ²	N/A

Material Info

Reference - Drawing Numbers

Sales Drawing	SD-35730-72*0
---------------	---------------



EU RoHS

**ELV and RoHS
Compliant**
**REACH SVHC
Contains SVHC: No**
**Halogen-Free
Status**
Halogen-Free

China RoHS



**Need more information on product
environmental compliance?**

Email productcompliance@molex.com
 For a multiple part number RoHS Certificate of Compliance, [click here](#)

Please visit the [Contact Us](#) section for any non-product compliance questions.

Search Parts in this Series

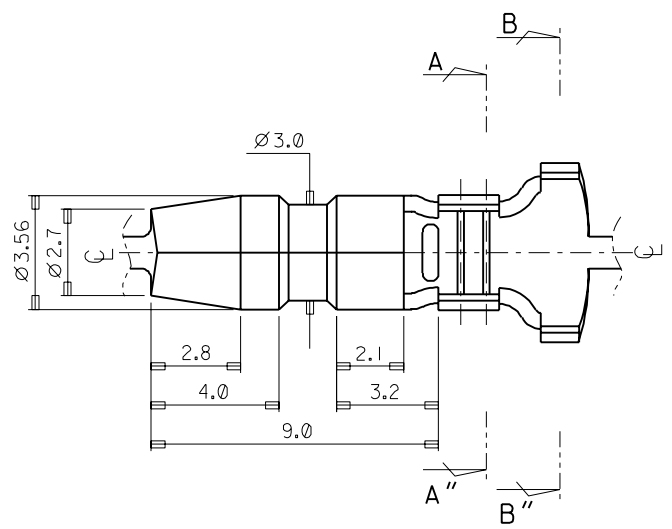
[35730Series](#)

Mates With

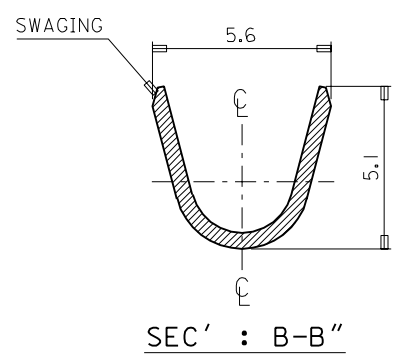
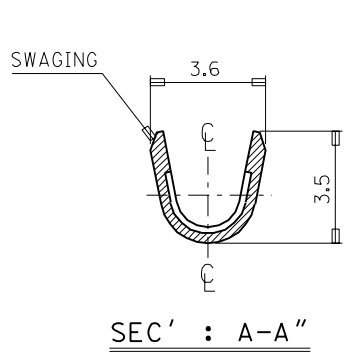
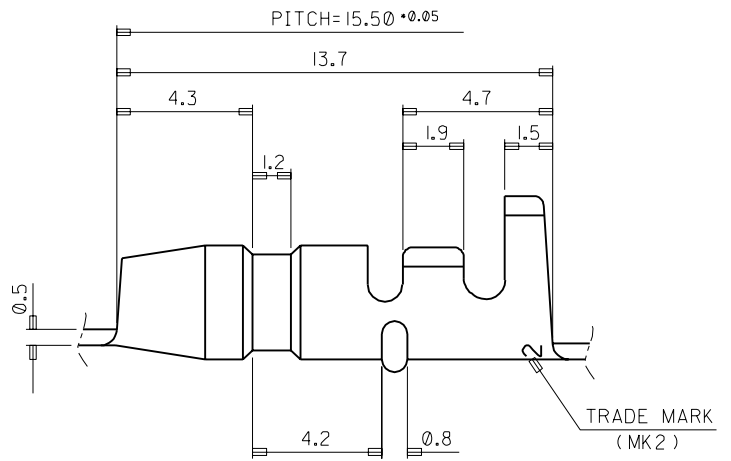
[35730-29*0](#)

8 7 6 5 4 3 2 1

ENG. NO SD 35730-72*0
EDP NO.
SIMILAR ITEM
PROJECT NO. Ø3.56 PIN TM'L-S
DO NOT SCALE DRAWING
DIMENSION IN METRIC



- NOTES
1. MATERIAL : BRASS , 0.5 mm THICKNESS
 2. FINISH : 35730-7200(UNPLATED)
35730-7210(POST PLATED TIN)
35730-7240(TIN-LEAD PLATED)
 3. RECOMMENDED LENGTH OF WIRE STRIP IS 3.0-3.6mm



ASS'Y PART		QTY/REEL OR PACK	SURFACE AREA	MATERIAL	SEE NOTES	WIRE RANGE	GENERAL TOLERANCES	MOLEX MOLEX-KOREA CO.,LTD.
DESCRIPTION	ENG.NO.	7,000 Q'TY /REEL	MM ²	DIMENSION CLASSIFICATION		AWG: #20-#14	DIM. : ±0.30	
		DIE NO.	LAYOUT NO.	<input checked="" type="checkbox"/> : CRITICAL <input checked="" type="checkbox"/> : MAJOR <input type="checkbox"/> : MINOR () : REFERENCE		MM ² : 0.5-2.2	ANGLE : ±0.15	REVISE ONLY ON CAD SYSTEM
B	REVISED	93-025	93.11.17	WIRE CRIMP WIDTH	INS. CRIMP WIDTH	INSULATION RANGE	TITLE:	Ø 3.56 PIN TM'L-S
A	CAD REDRAWING	93-019	93.8.17	WBDW	IBDW	Ø 2.6-3.8	ENG.NO.	SD 35730-72*0
LTR	REVISION RECORD	ECN	DR/CHK	DATE	DIE FEED	APPL FEED	15.50	1 of 1
								REV B

8 7 6 5 4 3 2 1 MK-9